

# MF300T Datasheet

MEDIUM-FLOW TRACKING PRESSURE REGULATOR



Gas  
  Liquid  
  Diaphragm  
  Piston  
  Self-Venting  
  Non-Venting  
 Max Inlet: 300 bar (4,350 psi)  
 Max Outlet: 25 bar (360 psi)  
 Cv 2.0



## INTRODUCING THE MF300T...

The MF300T is a piston-sensed self-venting regulator for gas or liquid applications with 1:1 tracking ratio to reference pressure.

The MF300T offers a **balanced main valve** as standard and features an anti-tamper locking cap as standard with its reference port in an adjustable collar to suit your application. The MF300T's 1/2" and 3/4" designs have been subjected to Oxygen Ignition Tests to EN ISO 7291 standard.

## SPECIFICATION

Main Seat	Service	Valve Type	Inlet Pressure
PCTFE	Gas or Liquid	Unbalanced*	≤ 50 bar (725 psi)
PEEK™	Liquid	Unbalanced	
PCTFE	Gas	Balanced	> 50 bar (725 psi) to 300 bar (4,350 psi)
PEEK™	Gas or Liquid		

Vent Seat	Inlet Pressure
PCTFE	≤ 100 bar (1,450 psi)**
PEEK™	> 100 bar (1,450 psi)

## STANDARD MATERIALS OF CONSTRUCTION

PART	MATERIALS
Body and Bonnet	HT Brass
Main Valve Pin	AISI 316/316L Stainless Steel (UNS S31600/S31603)
Soft Seat	PCTFE
Valve Spring	AISI 316 S42 Stainless Steel
Piston	AISI 316/316L Stainless Steel (UNS S31600/S31603)
O-Rings	FKM/FPM
Loading Spring	Alloy Spring Steel

## SPECIFICATION - CONT'D

Spring Adjust. Outlet Range	Up to 25 bar (360 psi)
Reference Line MWP	100 bar (1,450 psi)
Design Proof Pressure	150% max. working pressure
Seat Leakage	In accordance with ANSI/FCI 70-3
Weight	6kg (13.2lbs)

Pressure regulator rating may be limited by connection type, Cv and/or seat material

\* Balanced valve can be used for certain applications - contact the office

\*\* Modification required - contact the office

## FEATURES AND BENEFITS

<b>1</b> ANTI-TAMPER LOCKING CAP	<b>2</b> ASTM G93 LEVEL C**	<b>3</b> ADJUSTABLE REFERENCE PORT POSITION	<b>4</b> BALANCED MAIN VALVE DESIGN
Helps deter unwanted alterations to the pressure regulator.	Wetted parts cleaned and degreased to ASTM G93 level C.	Alter to suit the requirements of your application.	Improved control across the pressure range.

Product availability and specifications contained herein are subject to change without notice. Consult local distributor or factory for potential revisions and/or service related issues. Pressure Tech Ltd support with product selection recommendations only - it is the users responsibility to ensure the product is suitable for their specific application requirements.



DESIGNED AND BUILT IN THE UK

### PRESSURE TECH LTD

Unit 24, Graphite Way, Hadfield, Glossop, Derbyshire, UK, SK13 1QH

T +44 (0)1457 899 307

E sales@pressure-tech.com

W www.pressure-tech.com

280920

PAGE:  
1 OF 4

# MF300T Datasheet

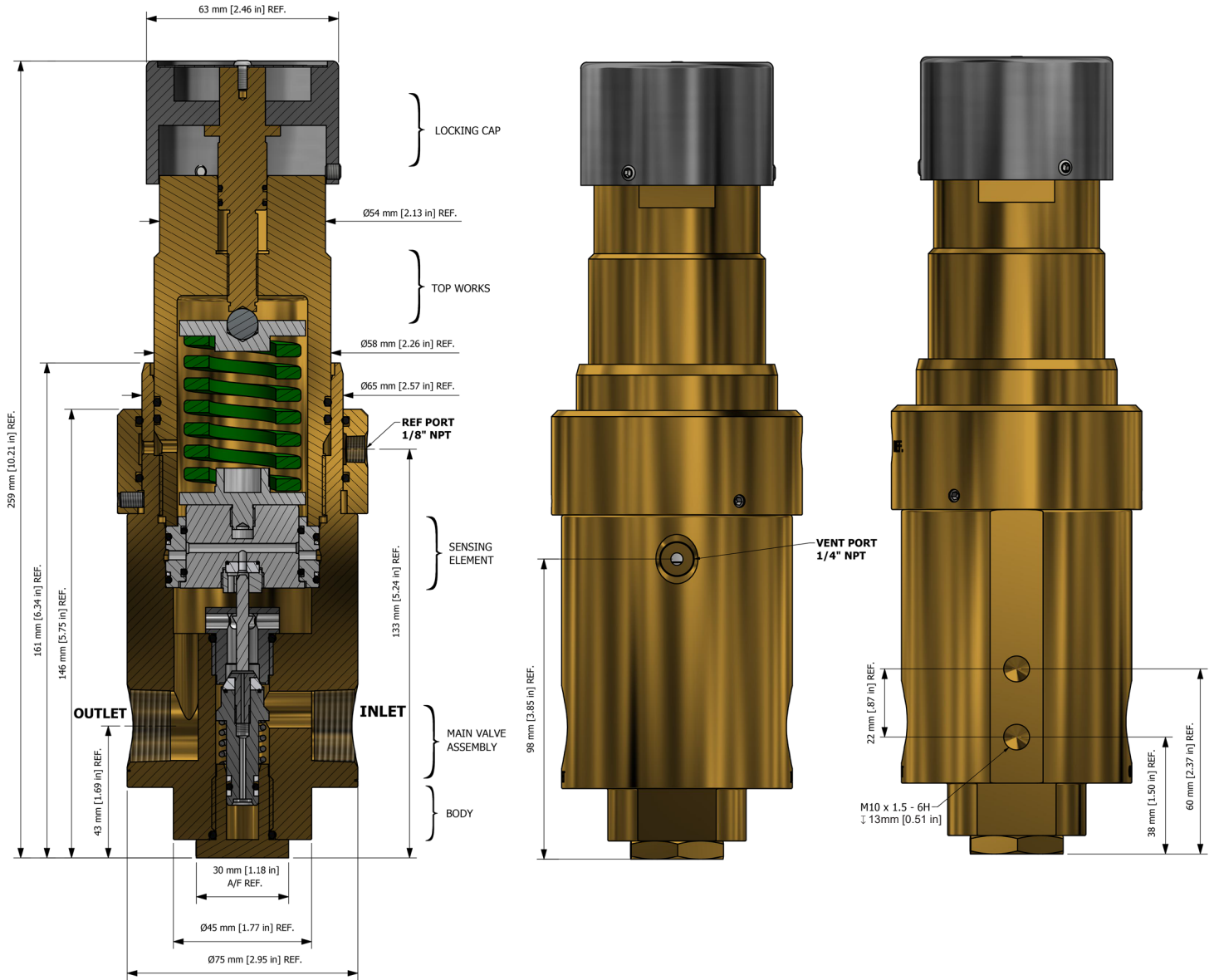
MEDIUM-FLOW TRACKING PRESSURE REGULATOR



Gas  
  Liquid  
  Diaphragm  
  Piston  
  Self-Venting  
  Non-Venting  
 Max Inlet: 300 bar (4,350 psi)  
 Max Outlet: 25 bar (360 psi)  
 Cv 2.0

## DRAWINGS AND INSTALLATION DIMENSIONS

Dimensions shown for 1/2" NPT option - please contact the office for additional connections options.



**Note:**  
All gauge ports are 1/4" NPT as standard.

Product availability and specifications contained herein are subject to change without notice. Consult local distributor or factory for potential revisions and/or service related issues. Pressure Tech Ltd support with product selection recommendations only - it is the users responsibility to ensure the product is suitable for their specific application requirements.



DESIGNED AND BUILT IN THE UK

**PRESSURE TECH LTD**  
 Unit 24, Graphite Way, Hadfield, Glossop, Derbyshire, UK, SK13 1QH  
 T +44 (0)1457 899 307  
 E sales@pressure-tech.com  
 W www.pressure-tech.com

# MF300T Datasheet

MEDIUM-FLOW TRACKING PRESSURE REGULATOR

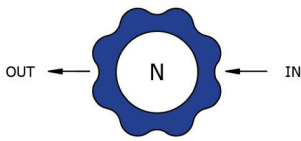


Gas  Liquid |  Diaphragm  Piston |  Self-Venting  Non-Venting | Max Inlet: 300 bar (4,350 psi) | Max Outlet: 25 bar (360 psi) | Cv 2.0

## FLOW CURVE

Please contact the office for further information.

## PORTING CONFIGURATIONS



*Note:*

Additional porting configurations are available - please contact the office for further information.

Product availability and specifications contained herein are subject to change without notice. Consult local distributor or factory for potential revisions and/or service related issues. Pressure Tech Ltd support with product selection recommendations only - it is the users responsibility to ensure the product is suitable for their specific application requirements.



DESIGNED AND BUILT IN THE UK



### PRESSURE TECH LTD

Unit 24, Graphite Way, Hadfield, Glossop, Derbyshire, UK, SK13 1QH  
T +44 (0)1457 899 307  
E sales@pressure-tech.com  
W www.pressure-tech.com

280920

PAGE:  
3 OF 4

# MF300T Datasheet

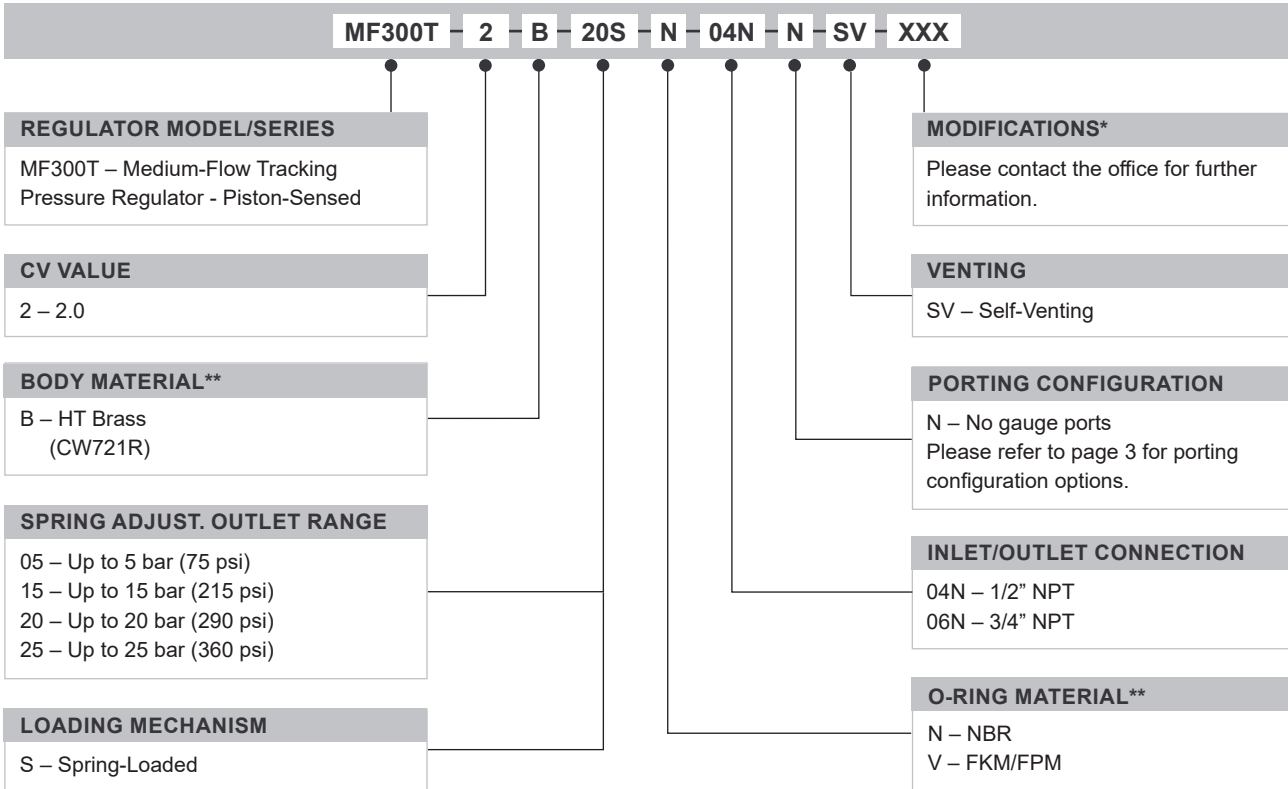
MEDIUM-FLOW TRACKING PRESSURE REGULATOR



Gas  
  Liquid  
  Diaphragm  
  Piston  
  Self-Venting  
  Non-Venting  
 Max Inlet: 300 bar (4,350 psi)  
 Max Outlet: 25 bar (360 psi)  
 Cv 2.0

## ORDERING INFORMATION

To build a Pressure Tech part number, simply combine the characters identified below in sequence:



OPTIONAL EXTRAS		
	PART NUMBER	DESCRIPTION
Service Kit	SRK-MF300T-2-B...	Various options available

*Note:*  
Ancillary equipment also available

\* Where applicable  
\*\* Other materials may be available - contact the office

Product availability and specifications contained herein are subject to change without notice. Consult local distributor or factory for potential revisions and/or service related issues. Pressure Tech Ltd support with product selection recommendations only - it is the users responsibility to ensure the product is suitable for their specific application requirements.



DESIGNED AND BUILT IN THE UK

**PRESSURE TECH LTD**  
 Unit 24, Graphite Way, Hadfield, Glossop, Derbyshire, UK, SK13 1QH  
 T +44 (0)1457 899 307  
 E sales@pressure-tech.com  
 W www.pressure-tech.com

280920